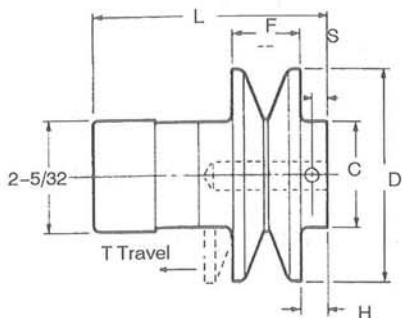


# Reeves Junior and Senior Pulleys



## JUNIOR PULLEYS

1/4 to 1-1/2 HP

2.75 :1 Max. Speed Range  
Uses Standard A or B Belts

### JR. PULLEY RATINGS

SIZE	SPEED RANGE	HP @ RPM			PART NUMBER BY BORE SIZE					
		1750	1450	1160	1/2	5/8	3/4	7/8	1	
830	1.75:1	1/4, 1/3	1/8-1/4	1/8, 1/4	H95000	H95001	H95002	....	....	
850	2.25:1	1/2	1/3	1/3	H95003	H95004	H95005	....	....	
860	2.75:1	3/4	1/2	1/2	H95006	H95007	H95008	....	....	
870	2.5:1	1	3/4	3/4	....	H95009	H95010	H95011	H95012	
875	2.5:1	1-1/2	1	1	....	H95214	H95013	H95014	H95015	

### SPECIFICATIONS

SIZE	PITCH DIA.		DIMENSIONS						
	MIN	MAX	D	F	L	T	C	H	S
830	1.94	3.38	3.38	.78	3.69	.34	1.38	.13	.22
850	2.11	4.75	5.13	.94	4.97	.88	1.88	.68	.25
860	2.09	5.75	6.16	.94	5.87	1.19	1.88	.84	.25
870	2.65	6.63	7.16	1.25	6.88	1.28	2.13	.75	.25
875	2.85	7.13	7.66	1.28	7.09	1.38	2.13	.94	.25



## SENIOR PULLEYS

1/4 to 15 HP

3:1 Max. Speed Range

No-Lube Design \*  
Uses Standard Wide-Range Belts  
Collet Collar Mounting \*

### STOCK SIZES

SIZE	PART NUMBER BY BORE SIZE					
	1/2	5/8	3/4	7/8	1	
5675	H95500	H95501	H95502	....	....	
7202	....	H95503	H95504	H95505	H95506	
	7/8	1	1-1/8	1-1/4	1-3/8	1-5/8
9205	H95507	H95508	H95509	....	H95510	....
1110	....	....	H95511	H95512	H95513	H95514
912-15	....	....	....	....	H95619	H95042

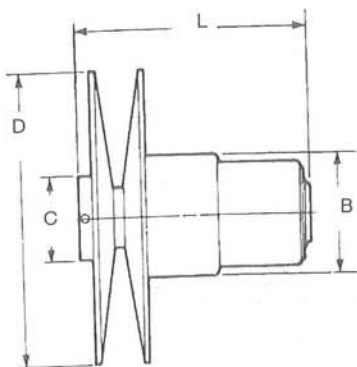
### SR. MOTOR PULLEY RATINGS

SIZE	SPEED RANGE	HP @ RPM			WIDE RANGE BELT	
		1740	1450	1160	SERIES	WIDTH
5675	3:1	1/4, 1/2, 3/4	1/4, 1/2	1/4, 1/2	1422V	7/8
7202	3:1	1, 1-1/2, 2	1, 1-1/2	1, 1-1/2	1922V	1-3/16
9205	3:1	3, 5	2, 3	1-1/2, 2, 3	2926V	1-13/16
1110	3:1	7-1/2, 10	5, 7-1/2	5, 7-1/2	4430V	2-3/4
912-15	2:1	15	10	10	4430V	2-3/4

### SPECIFICATIONS

SIZE	PITCH DIA.		DIMENSIONS			
	MIN	MAX	D	L	B	C
5675	1.73	5.19	5.44	5.12	2.44	1.75
7202	2.25	7.01	7.01	6.04	3.13	2.13
9205	2.90	8.71	8.96	7.75	3.69	2.75
1110	3.61	10.84	11.09	10.08	5.0	3.0
912-15	5.88	11.75	12.0	11.31	4.72	....

\* Except Size 912-15



For manuals and parts breakdowns, see [www.master-pt.com](http://www.master-pt.com)



3300 Tenth St. / Columbus, IN 47201 / (812) 376-1100  
[www.master-pt.com](http://www.master-pt.com)

# Reeves Adjustable Motor Bases

## 90 SERIES MOTOR BASES

Rugged cast iron 90 Series Base mounts motors from 48 frame through 254T frame sizes on floors, ceilings or walls. Manual handwheel operation is furnished as standard. Electric remote control versions of these same bases are also available as shown below.

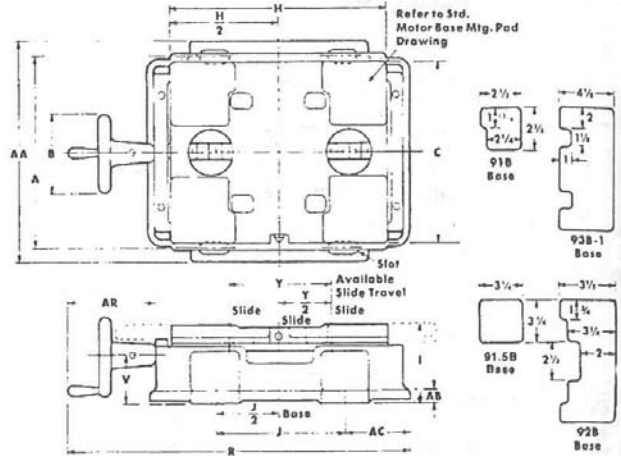


## 90 SERIES MOTOR BASES

BASE NO.	USED ON MOTOR FRAME NO'S.
91 B	56, 66
91.5 B	143T, 145T, 182T, 182, 184
92 B	182T, 184T, 213T, 213, 215
93 B1	213T, 215T, 254T, 256T, 254U, 256U, 284U

## SPECIFICATIONS

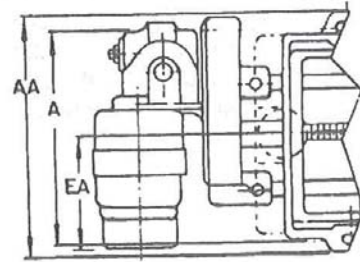
DIM.	BASE SIZE/PART NO.			
	91 B H95043	91.5 B H95044	92 B H95045	93 B1 H95046
A	7.38	7.94	10.25	12.75
B	3.0	3.25	4.0	5.63
C	7.0	7.5	9.88	13.0
H	8.38	10	11.0	14.38
I	3.0	3.5	4.0	5.06
J	4.94	5.25	6.0	11.5
R	13.5	16.94	19.25	25.94
V	1.94	2.38	2.94	3.44
Y	4.1	6.68	7.25	8.25
AA	8.38	9.19	11.38	14.38
AB	0.5	0.5	0.63	0.88
AC	2.53	3.69	4.25	4.75
AR	3.75	4.69	5.13	5.56
SLOT	0.44 X 1.19	0.5 X 1.5	0.44 X 1.69	0.56 X 2.56



## ELECTRIC REMOTE CONTROL MOTOR BASES

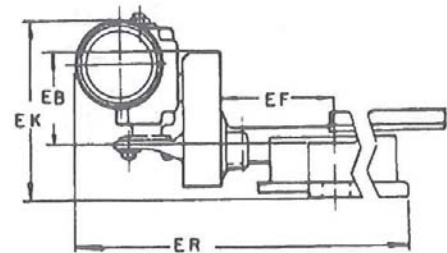


Remote control series 90 motor bases operate from 110-125 volt AC or DC power. Bases are supplied with overload disconnect switch and one pushbutton station. Note: Control transformer size for other voltages is 100 VA.



## SPECIFICATIONS, DIMENSIONS

DIM.	BASE SIZE/ PART NO.			
	91 B ERC H95215	91.5 B ERC H95216	92 B ERC H95217	93 B1 ERC H95218
A	7.38	7.94	10.25	12.38
AA	8.38	9.19	11.38	14.38
EA	4.68	4.13	5.38	4.56
EB	3.19	3.81	3.19	4.38
EF	4.09	6.0	6.0	5.75
EK	6.5	7.03	7.31	8.81
ER	16.81	20.25	21.68	27.69



For manuals and parts breakdowns, see [www.master-pt.com](http://www.master-pt.com)



3300 Tenth St. / Columbus, IN 47201 / (812) 376-1100  
[www.master-pt.com](http://www.master-pt.com)