

REEVES MOTODRIVE

SIZE 050, 100, 200 CONSTANT SPEED DISC REPAIR KITS

INSTALLATION INSTRUCTIONS

DISASSEMBLY

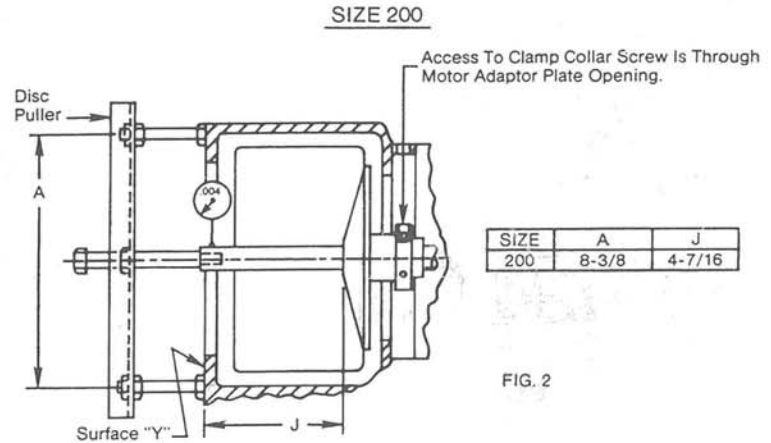
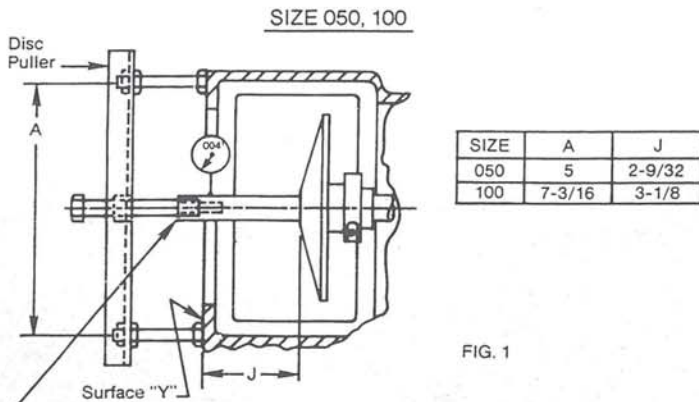
1. If possible, shift Moto Drive while running to high speed position.
2. Disconnect electrical service to Moto Drive.
3. Remove Reeves side inspection plate.
4. Remove control assembly and sliding disc assembly.
5. Pull upper loop of the belt over the end of the fixed disc shaft. (If unable to shift Moto Drive to high speed position, it will be necessary to spread variable discs to free belt).
6. Loosen clamp screw (TORX T30 sockethead; suitable wrench is APEX 49C-TX30) in clamp collar on fixed disc hub. Previous design may have 3/16 Hex or setscrews which must be loosened. Access is through Reeves inspection plate opening and/or motor adaptor (size 200 only) plate opening.
7. Remove fixed disc from motor shaft. Disc puller may be necessary and is available from your Reeves Parts Distributor. See Figures 1 & 2 as a suggested method of removing fixed disc.
8. Before installing new fixed disc, be sure motor shaft is free of burrs and corrosion. If motor shaft contains a key, this key must be removed. **Do not use a Disc Plug with the new disc.** Be sure motor shaft runout is not excessive. NEMA standard is .002" T.I.R. (Total Indicator Reading).

INSTALLATION

1. To install new fixed disc, slide on motor shaft until the "J" dimension (050 - 2-9/32") (100 - 3-1/8") (200 - 4-7/16") in Figures 1 and 2 is met to within $\pm 1/32$ ". Note: "J" Dimension is measured from belt case (surface "Y") along the fixed disc extension to the flat portion of the disc face.
2. Tighten allen head screw in clamp collar to **200 In. Lbs.** with clamp collar being located against fixed shoulder on disc hub. **This is very important to maintain the maximum holding capability.**
3. Place dial indicator 1/8 to 1/4 inch from end of fixed disc, and indicate from surface "Y" (See Figure II). Fixed disc runout should not exceed .004" T.I.R.
4. If fixed disc runout does exceed .004" T.I.R., loosen clamp collar and rotate fixed disc 90 degrees and repeat Installation Steps 1, 2, and 3 above.

NOTE: IT IS VERY IMPORTANT THAT THE PROPER "J" DIMENSION AND FIXED DISC RUNOUT BE MAINTAINED TO INSURE MAXIMUM BELT AND COMPONENT LIFE.

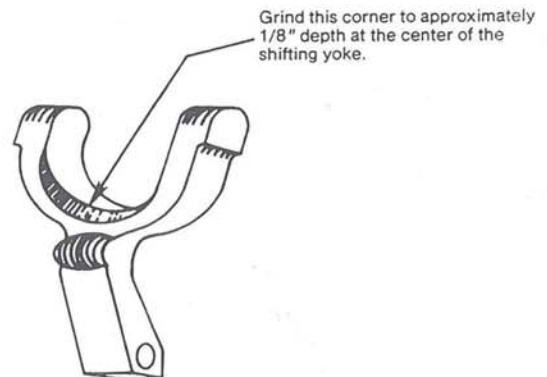
5. Reassemble in reverse order. (Note: For 050, see Figure 3).



← Puller Adaptor Req'd On 050 and 100 Sizes Only.

CAUTION: SIZE 050'S ONLY — Interference may be encountered between the ductile iron constant speed sliding disc hub and the sintered metal shifting yoke. If interference is encountered it would occur in the higher portion of the speed range.

This interference may be eliminated by grinding the shifting yoke per the illustration (Figure 3) or request a new shifting yoke from a Reeves Parts Distributor.



MASTER
POWER TRANSMISSION

3300 Tenth St. / Columbus, IN 47201 / (812) 376-1100
www.master-pt.com

MD bushing repl
8/2010