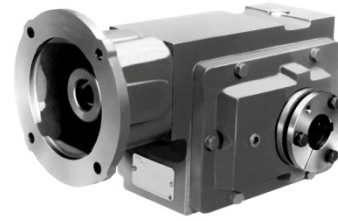
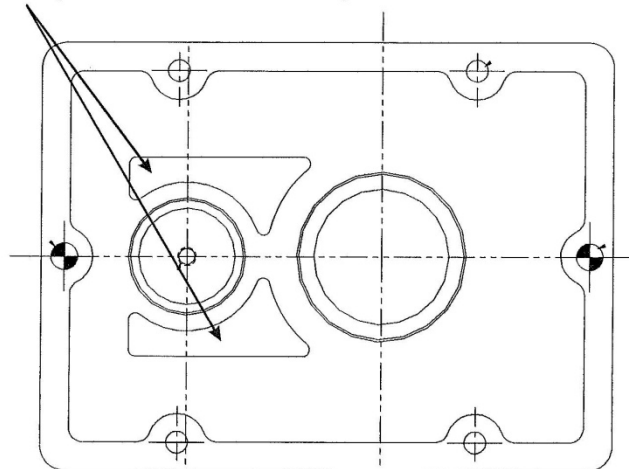


# MASTER<sup>®</sup> COMBOGEAR



## DRILLING & TAPPING FOR VENT INSTRUCTIONS (ALL SIZES) K4 & L2 MOUNTING POSITIONS

There are two reliefs in the open bearing housing casting. Drill/tap into either should provide a suitable vent location.



Ex: Drill through 11/32", tap 1/8-27 NPSF, use vent plug 203630 or 30657 spring loaded vent for washdown applications.

### Warning

To ensure that the unit is not damaged during operations, all metal shavings must be removed after drilling. Refill unit with Mobil SHC634 standard lubricant prior to reinstalling.



3300 Tenth St. / Columbus, In 47201 / (888) 616-1094  
[www.master-pt.com](http://www.master-pt.com)