

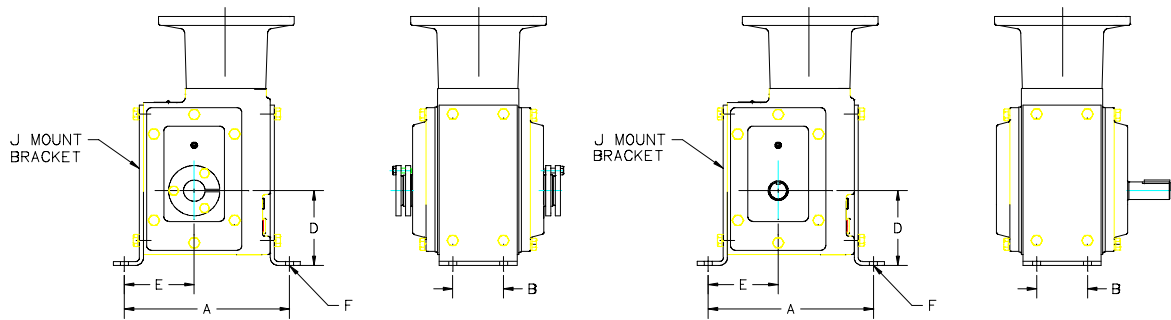
J-Mount Brackets For MASTER COMBOGEAR Reducers SIZES C150, C200, C262, C350

THE MOUNTING FEET AND HARDWARE CONTAINED IN THIS PACKAGE WILL ALLOW CONVERSION FROM A HORIZONTALLY MOUNTED REDUCER TO A VERTICALLY MOUNTED REDUCER.

INSTRUCTIONS	
1. Remove and discard horizontal mounting feet (if provided).	2. Attach (2) J-Mount Brackets to the gearcase using the hex head screws and lockwashers provided in package (Ref. to picture).

HOLLOW SHAFT (STRAIGHT AND TAPERED)

SOLID SHAFT



Important: Add additional oil (MOBIL SHC634) per column G.

CASE SIZE	STOCK NUMBER	KIT NUMBER	FOOT NUMBER	A	B	D	E	F (BOLT)	G (ADD. OIL)
C150	6011826	411642-01-GA	079035-41-F	200MM	63MM	90MM	86.4MM	8MM	20 fl.oz.
				7.87"	2.48"	3.54"	3.40"	5/16"	
C200	6011833	411642-01-GB	079035-41-G	250MM	80MM	100MM	114.8MM	10MM	14 fl.oz.
				9.84"	3.15"	3.94"	4.52"	3/8"	
C262	6011840	411642-01-GC	079035-41-H	315MM	100MM	125MM	144MM	10MM	48 fi.oz.
				12.40"	3.94"	4.92"	5.67"	3/8"	
C350	6011857	411642-01-GD	079035-41-J	400MM	125MM	160MM	182.4MM	12MM	88 fl.oz.
				15.75"	4.92"	6.30"	7.18"	1/2"	

Warning: Because of the possible danger to person(s) or property from accidents which may result from the improper use of products, it is important that correct procedures be followed. Products must be used in accordance with the engineering information specified. Proper installation, maintenance and operational procedures must be observed. The instructions in the instruction manuals must be followed. Inspections should be made as necessary to assure safe operation under prevailing conditions. Proper guards and other suitable safety devices or procedures as may be desirable or as may be specified in safety codes should be provided and are neither provided by Master Power Transmission nor are the responsibility of Master Power Transmission. This unit and its associated equipment must be installed, adjusted and maintained by qualified personnel who are familiar with the construction and operation of all equipment in the system and the potential hazards involved. When risk to persons or property may be involved, a fail-safe device must be an integral part of the driven equipment beyond the speed reducer output shaft.