

REEVES VARI-SPEED Pulleys

Updated 8-31-15

Contents	
Selection and Dimensions	PUL-2
Junior & Senior Pulleys	PUL-2
Adjustable Motor Bases	PUL-4
Compound Pulleys.....	PUL-5
REEVES Pulley Belts	PUL-6
REEVES Compound Pulley Belt/Center-Distance Selection	PUL-6
Comparison Chart: Current REEVES Pulleys To Older REEVES Pulley Series	PUL-6
Belt Selection: Junior Pulleys.....	PUL-7
Belt Selection: Senior Pulleys	PUL-10

APG

MASTER XL

COMBOGEAR

MOTO DRIVE

ULTIMA

PULLEYS

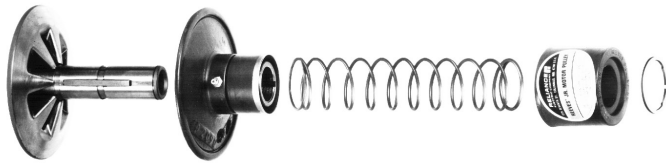
REEVES Junior & Senior Pulleys

Selection and Dimensions

REEVES Vari-speed motor pulleys and accessories provide economical, trouble-free adjustable speed drives for the fractional thru 15 HP range. Easy application and rugged design have made these drives a favorite machinery design option for many years. Extra-Value (XV) features reduce maintenance time and costs, and contribute to longer belt life and quieter operation.

Junior Pulley – Only one moving part makes REEVES Jr. Pulleys extra reliable and easy to maintain.

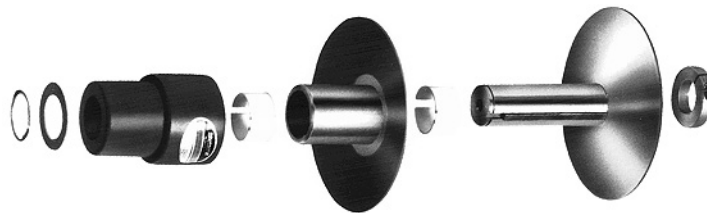
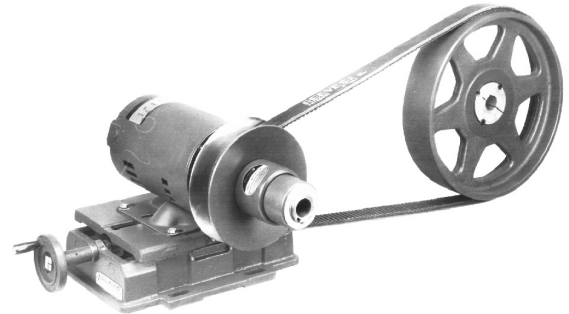
- ¼ to 1-½ HP
- 2.75:1 Speed Range
- Easily Lubricated: Contaminants flushed from sliding surfaces
- Patented closed groove lube system with grease reserve
- Uses standard A or B section belts
- Driven sheave options include FHP or Dual-Duty Taper-Lock sheaves
- Fast, simple set screw mounting



Spring retainer design may vary

Senior Pulley – Easy to apply, easy to install and easy to maintain.

- ¼ to 15 HP
- 3:1 Speed Range
- Uses industry standard wide range belts
- Taper-lock flat face pulley is driven sheave
- Self-contained spring cartridge for safety
- XV Features on ¼ HP – 10HP models
- Sliding disc rides on tough engineered **Elastomeric Bushing**: Eliminates the need for lubrication; Will not corrode or stick; quick, easy replacement
- *Clamp Collar Mounting* (Collet-style hub secured by compression clamp) for superior shaft grip, concentric mount keeps wear and vibration to a minimum and no fretting corrosion means easy removal for maintenance
- *Ductile Iron Discs* are machined all over for smooth running, also stronger and more wear resistant than cast iron or aluminum.



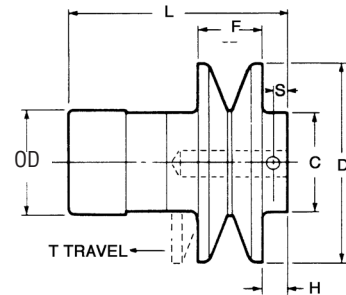
REEVES Junior & Senior Pulleys

Junior Pulley Ratings and Specifications

Size	Speed Range	HP @ RPM			Pitch Dia		Dimensions							
		1750	1450	1160	Min	Max	D	F	L	T	C	H	S	OD
830	1.75:1	1/4, 1/3	1/8, 1/4	1/8, 1/4	1.94	3.38	3.38	0.78	3.69	0.34	1.38	0.13	0.22	1 9/32"
850	2.25:1	1/2	1/3	1/3	2.11	4.75	5.13	0.94	4.97	0.88	1.88	0.68	0.25	1 9/32"
860	2.75:1	3/4	1/2	1/2	2.09	5.75	6.16	0.94	5.87	1.19	1.88	0.84	0.25	1 29/32"
870	2.5:1	1	3/4	3/4	2.65	6.63	7.16	1.25	6.88	1.28	2.13	0.75	0.25	2 19/32"
875	2.5:1	1-1/2	1	1	2.85	7.13	7.66	1.28	7.09	1.38	2.13	0.94	0.25	2 19/32"

Junior Pulley Selection:

Size	Part Number by Bore Size				
	1/2	5/8	3/4	7/8	1
830	H95000	H95001	H95002	---	---
850	H95003	H95004	H95005	---	---
860	H95006	H95007	H95008	---	---
870	---	H95009	H95010	H95011	H95012
875	---	H95214	H95013	H95014	H95015



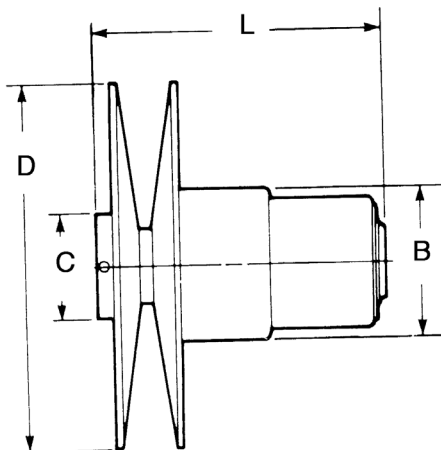
Spring retainer design may vary

Senior Pulley Ratings & Specifications:

Size	Speed Range	HP @ RPM			Belt Width	Pitch Dia		Dimensions			
		1750	1450	1160		Min	Max	D	L	B	C
5675	3:1	1/4, 1/2, 3/4	1/4, 1/2	1/4, 1/2	7/8	1.73	5.19	5.44	5.12	2.44	1.75
7202	3:1	1, 1-1/2, 2	1, 1-1/2	1, 1-1/2	1-3/16	2.25	7.01	7.01	6.04	3.13	2.13
9205	3:1	3, 5	2, 3	1-1/2, 2, 3	1-13/16	2.90	8.71	8.96	7.75	3.69	2.75
1110	3:1	7-1/2, 10	5, 7-1/2	5, 7-1/2	2-3/4	3.61	10.84	11.09	10.08	5.00	3.00
912-15	2:1	15	10	10	2-3/4	5.88	11.75	12.00	11.31	4.72	---

Senior Pulley Selection:

Size	Part Number by Bore Size									
	1/2	5/8	3/4	7/8	1	1-1/8	1-1/4	1-3/8	1-5/8	
5675	H95500	H95501	H95502	---	---	---	---	---	---	
7202	---	H95503	H95504	H95505	H95506	---	---	---	---	
9205	---	---	---	H95507	H95508	H95509	H95600	H95510	---	
1110	---	---	---	---	---	H95511	H95512	H95513	H95514	
912-15	---	---	---	---	---	---	---	H95619	H95042	



REEVES Adjustable Motor Bases

90 Series Motor Bases

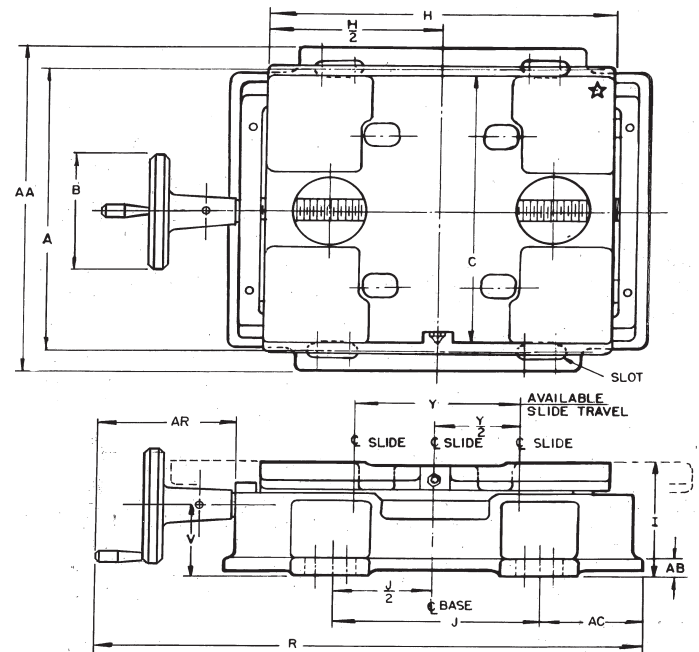
Rugged cast iron 90 Series base mounts foot-mounted motors from 48 frame through 256T frame sizes to floors, ceilings or walls. Manual handwheel operation is furnished as standard.

90 Series Motor Bases are not drilled and tapped due to multiple motor options. It is the responsibility of the customer to have the base drilled to match the motor frame being used.



Base Size	Part No.	Used on Motor Frame Size
91 B	H95043	56, 66
91.5 B	H95044	143T, 145T, 182T, 182, 184
92 B	H95045	182T, 184T, 213T, 213, 215
93 B1	H95046	213T, 215T, 254T, 256T, 254U, 256U, 284U

Dim.	Base Size / Part No.			
	91 B H95043	91.5 B H95044	92 B H95045	93 B1 H95046
A	7.38	7.94	10.25	12.75
B	3	3.25	4	5.63
C	7	7.5	9.88	13
H	8.38	10	11	14.38
I	3	3.5	4	5
J	4.94	5.25	6	11.5
R	13.5	16.94	19.25	25.94
V	1.94	2.38	2.94	3.44
Y	4.1	6.68	7.25	8.25
AA	8.38	9.19	11.38	14.38
AB	0.5	0.5	0.63	0.88
AC	2.53	3.69	4.25	4.75
AR	3.75	4.69	5.13	5.56
SLOT	.44 x 1.19	.5 x 1.5	.44 x 1.69	.56 x 2.56



90 Series Motor Bases with Electric Remote Control

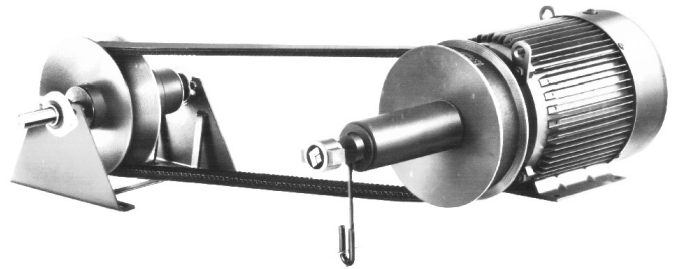
Part numbers listed for reference only.
Contact Master Power Transmission for availability.

Base Size	Part No.
91 B ERC	H95215
91.5 B ERC	H95216
92 B ERC	H95217
93 B1 ERC	H95218

REEVES Compound Pulleys

Compound Pulley – For constant center distance applications where both motor and driven load must remain immovable.

- ¼ to 5 HP
- 9:1 speed range
- Manual control of motor pulley for accurate, smooth speed adjustment
- Adjustable motor base not required



Compound Pulley Ratings & Specifications:

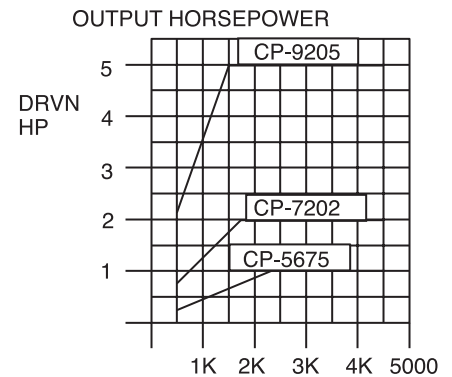
Size		Speed Range*		HP @ RPM			Dimensions						
Driver	Driven	1750 RPM Mtr	1160 RPM Mtr	1750	1450	1160		C	D	F1	F2	L	W
CP-5675	5675	4500/580	3480/387	3/4	1/2	1/2	Driver	1.75	5.44	1.11	1.81	9.84	3.88
	Driven						5.12					---	
CP-7202	7202			2	1-1/2	1	Driver	2.19	7.01	1.46	2.41	10.78	3.69
	Driven						5.98					---	
CP-9205	9205			5	3	3	Driver	2.75	8.96	2.11	3.34	12.50	3.75
	Driven						7.75					---	

*Constant Torque

Compound Pulley Selection:

Size	Part Number by Bore Size*						
	1/2	5/8	3/4	7/8	1	1-1/8	1-3/8
CP-5675	H95518	H95519	H95520	---	---	---	---
CP-7202	---	H95521	H95522	H95523	H95524	---	---
CP-9205	---	---	---	H95525	H95526	H95527	H95528

*Part number is for Driver pulley only. See Sr. Pulley chart for driven pulley part number.

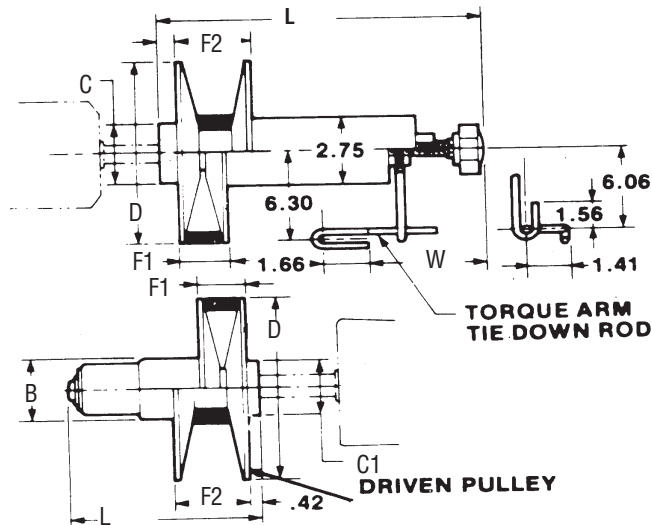


Thru-Bore Driven Pulleys:

Thru-Bore pulleys are the same as the standard 5675, 7202, and 9205 pulleys, except the bore is extended through the hub. This enables the pulley to be mounted on the countershaft.

Thru-Bore Pulley Selection:

Size	Bore	Part No.	Weight (lbs)
5675	3/4	H95515	6
7202	1	H95516	10
9205	1	H95517	14



REEVES Pulley Belts and Pulley Reference

REEVES Pulley Belts

5675 Pulley		7202 Pulley		9205 Pulley		1110 and 912/15 Pulley	
7/8" x 22°		1-3/16" x 22°		1-13/16" x 26°		2-3/4" x 30°	
Belt P/N	Pitch Length	Belt P/N	Pitch Length	Belt P/N	Pitch Length	Belt P/N	Pitch Length
H95123	30	H95457	25	H95477	47.1	H95482	61
H95124	36	H95133	32.2	H95170	48.7	H95202	67
H95125	42	H95134	36.3	H95171	52.1	H95486	70
H95126	48	H95135	38.6	H95172	54.6	H95204	73
H95127	54	H95459	40.3	H95173	57.4	H95205	79
H95128	60	H95137	42.6	H95174	60.6	H95206	85
H95454	66	H95461	44.3	H95177	63.6	H95207	91
H95455	72	H95139	45.4	H95178	64.6	H95208	97
H95456	78	H95140	48.4	H95180	68.6	H95209	103
		H95142	54.4	H95182	72.6	H95210	109
		H95143	60.4	H95183	77.6	H95488	115
		H95162	64.6	H95184	83.4	H95489	132
		H95145	66.6	H95185	85.6		
		H95148	72.6	H95187	90.6		
		H95149	80.6	H95478	96.6		

REEVES Compound Pulley Belt/Center-Distance Selection

CP-5675/5675 Pulley Combo		CP-7202/7202 Pulley Combo		CP-9205/9205 Pulley Combo	
Belt P/N	Center Distance "	Belt P/N	Center Distance "	Belt P/N	Center Distance "
H95123	9.07	H95133	8.50	H95170	14.38
H95124	12.35	H95205	10.53	H95171	16.38
H95125	15.37	H95135	11.59	H95172	17.40
H95126	18.39	H95137	13.58	H95173	18.41
H95127	21.40	H95139	15.10	H95174	19.42
H95128	24.40	H95140	16.22	H95175	20.43
		H95142	19.64	H95178	22.45
		H95143	22.66	H95180	24.47
		H95145	25.68	H95182	26.48
		H95148	28.69	H95183	29.01
		H95149	32.70	H95185	33.02
				H95187	35.53

Comparison Chart: Current REEVES Pulleys To Older REEVES Pulley Series

HP	NEMA Frame	Current REEVES Pulley			REEVES 90 Series			REEVES 900 Series			REEVES 20 Series		
		Model	O.D. "	B.T.W. "	Model	O.D. "	B.T.W. "	Model	O.D. "	B.T.W. "	Model	O.D. "	B.T.W. "
1/4	56	5675	5.5	7/8	95	5-1/2	7/8	--	--	--	20	6	1-3/16
1/2	56	5675	5.5	7/8	95	5-1/2	7/8	--	--	--	20	6	1-3/16
3/4	56	5675	5.5	7/8	96	6	1-3/16	906	6	1-3/16	25	7-1/2	1-7/16
1	140T	7202	7	1-3/16	97	7-1/2	1-3/16	907-1/2	7-1/2	1-7/16	28	7-3/4	1-13/16
1-1/2	140T	7202	7	1-3/16	97	7-1/2	1-3/16	907-1/2	7-1/2	1-7/16	28	7-3/4	1-13/16
											28-1/2	10	1-13/16
2	140T	7202	7	1-3/16	98	8	1-7/16	908	8	1-7/16	28-1/2	10	1-13/16
					98-1/2	10	1-13/16				33	11-1/2	2-3/4
3	180T	9205	9	1-13/16	99	9-1/2	1-13/16	909-1/2	9-1/2	2	33	11-1/2	2-3/4
											55	12-1/2	2-3/4
5	180T	9205	9	1-13/16	910	10	2	--	--	--	55	12-1/2	2-3/4
											66	13	2-3/4
7-1/2	210T	1110	11	2-3/4	912	12	2-3/4	--	--	--	66	13	2-3/4
											77	13	2-3/4
10	210T	1110	11	2-3/4	912	12	2-3/4	--	--	--	77	13	2-3/4

REEVES Junior & Senior Pulleys

Belt Selection: Junior Pulleys

Size 830 Junior Pulley

¼ to 1/3 HP @ 1750 RPM
 Driven Sheave: FHP or Dual-Duty
 Belt: 4L FHP, A or AX S-L Classic

Driven RPM's Max/Min Motor RPM		Driven Sheave P.D.	Min/Max Center Distance for V-Belt No.												
1750	1160		A-26	A-31	A-33	A-35	A-38	A-42	A-46	A-48	A-51	A-53	A-55	A-60	A-71
1965	1305	3.0	8.6	11.1	12.1	13.1	14.6	16.6	18.6	19.6	21.1	22.1	23.1	25.6	31.1
1125	750		9.8	12.3	13.3	14.3	15.7	17.7	19.7	20.7	22.2	23.2	24.2	26.7	32.2
1850	1225	3.2	8.5	11.0	12.0	13.0	14.5	16.5	18.5	19.5	21.0	22.0	23.0	25.5	31.3
1060	700		9.6	12.1	13.1	14.1	15.1	17.6	19.6	20.6	22.1	23.1	24.1	26.6	32.4
1740	1150	3.4	8.3	10.8	11.8	12.8	14.3	16.3	18.3	19.3	20.8	21.8	22.8	25.3	30.8
990	660		9.4	11.9	12.9	13.9	15.4	17.4	19.4	20.4	21.9	22.9	23.9	26.4	31.9
1640	1085	3.6	8.2	10.7	11.7	12.7	14.2	16.2	18.2	19.2	20.7	21.7	22.7	25.2	30.7
940	620		9.3	11.8	12.8	13.8	15.3	17.3	19.3	20.3	21.8	22.8	23.8	26.3	31.8
1555	1030	3.8	8.0	10.5	11.5	12.5	14.0	16.0	18.0	19.0	20.5	21.5	22.5	25.0	30.5
890	590		9.1	11.6	12.6	13.6	15.1	17.1	19.1	20.1	21.6	22.6	23.6	26.1	31.6
1480	980	4.0	7.8	10.3	11.3	12.3	13.8	15.8	17.8	18.8	20.3	21.3	22.3	24.8	30.3
845	560		8.9	11.4	12.4	13.4	14.9	16.9	18.9	19.9	21.4	22.4	23.4	25.9	31.4
1410	930	4.2	7.7	10.2	11.2	12.2	13.7	15.7	17.7	18.7	20.2	21.2	22.2	24.7	30.2
810	530		8.8	11.3	12.3	13.3	14.8	16.8	18.8	19.8	21.3	22.3	23.3	25.8	31.3
1340	890	4.4	7.5	10.0	11.0	12.0	13.5	15.5	17.5	18.5	20.0	21.0	22.0	24.5	30.1
770	510		8.6	11.1	12.1	13.1	14.6	16.6	18.6	19.6	21.1	22.1	23.1	25.6	31.2
1285	850	4.6	7.4	9.9	10.9	11.9	13.4	15.4	17.4	18.4	19.9	20.9	21.9	24.4	29.9
735	490		8.4	10.9	11.9	12.9	14.4	16.4	18.4	19.4	20.9	21.9	22.9	25.4	31.0
1230	815	4.8	7.2	9.7	10.7	11.7	13.2	15.2	17.2	18.2	19.7	20.7	21.7	24.2	29.7
700	465		8.2	10.7	11.7	12.7	14.2	16.2	18.2	19.2	20.7	21.7	22.7	25.2	30.8
1180	785	5.0	7.0	9.5	10.5	11.5	13.0	15.0	17.0	18.0	19.5	20.5	21.5	24.0	29.5
680	450		8.1	10.6	11.6	12.6	14.1	16.1	18.1	19.1	20.6	21.6	22.6	25.1	30.6
1135	750	5.2	6.9	9.4	10.4	11.4	12.9	14.9	16.9	17.9	19.4	20.4	21.4	23.9	29.4
650	430		7.9	10.4	11.4	12.4	13.9	15.9	17.9	18.9	20.4	21.4	22.4	24.9	30.5
1095	725	5.4	6.7	9.2	10.2	11.2	12.7	14.7	16.7	17.7	19.2	20.2	21.2	23.7	29.2
625	415		7.7	10.2	11.2	12.2	13.7	15.7	17.7	18.8	20.3	21.3	22.3	24.8	30.3
1055	700	5.6	6.5	9.0	10.0	11.0	12.5	14.5	16.5	17.5	19.0	20.0	21.1	23.6	29.1
600	400		7.5	10.0	11.0	12.0	13.5	15.6	17.6	18.6	20.1	21.1	22.1	24.6	30.2
1020	675	5.8	6.3	8.8	9.8	10.9	12.4	14.4	16.4	17.4	18.9	19.9	20.9	23.4	28.9
580	385		7.3	9.8	10.9	11.9	13.4	15.4	17.4	18.4	19.9	20.9	21.9	24.4	30.0
985	655	6.0	6.1	8.7	9.7	10.7	12.2	14.2	16.2	17.2	18.7	19.7	20.7	23.2	28.7
560	375		7.1	9.7	10.7	11.7	13.2	15.2	17.2	18.2	19.7	20.7	21.8	24.3	29.8
955	630	6.2	6.0	8.5	9.5	10.5	12.0	14.1	16.1	17.1	18.6	19.6	20.6	23.1	28.6
545	360		6.9	9.5	10.5	11.5	13.0	15.1	17.1	18.1	19.6	20.6	21.6	24.1	29.7
920	610	6.4	5.8	8.3	9.3	10.4	11.9	13.9	15.9	16.8	18.4	19.4	20.4	22.9	28.4
530	350		6.7	9.3	10.4	11.4	12.9	14.9	16.9	17.9	19.4	20.4	21.4	24.0	29.5
845	560	7.0	---	7.8	8.8	9.8	11.4	13.4	15.4	16.4	17.9	18.9	19.9	22.4	27.9
485	320		8.8	9.8	10.8	12.4	14.4	16.4	17.4	18.9	19.9	20.9	23.4	29.0	
720	480	8.2	---	6.6	7.7	8.7	10.3	12.3	14.4	15.4	16.9	17.9	18.9	21.4	26.9
415	275		7.5	8.6	9.7	11.2	13.3	15.4	16.4	17.9	18.9	19.9	22.3	28.0	
655	435	9.0	---	---	6.9	7.9	9.5	11.6	13.6	14.6	16.2	17.2	18.2	20.7	26.3
375	245		7.8	8.9	10.5	12.5	14.6	15.6	17.2	18.2	19.2	21.7	23.7	27.3	
560	370	10.6	---	---	---	---	7.8	10.0	12.1	13.2	14.7	15.7	16.8	19.3	24.9
315	210		8.7	10.9	13.1	14.1	15.7	16.7	17.8	18.8	20.3	21.3	23.8	25.9	
495	325	12.0	---	---	---	---	---	8.5	10.7	11.7	13.4	14.4	15.5	18.0	23.7
280	185		9.4	11.6	12.7	14.3	15.4	16.4	19.0	20.0	21.5	22.5	25.0	30.5	

APG

MASTER XL

COMBOGEAR

MOTO DRIVE

ULTIMA

PULLEYS

REEVES Junior & Senior Pulleys

Size 850 Junior Pulley

½ HP @ 1750 RPM
 Driven Sheave: FHP or Dual-Duty
 Belt: 4L FHP, A or AX S-L Classic

Driven RPM's Max/Min Motor RPM		Driven Sheave P.D.	Min/Max Center Distance for V-Belt No.												
1750	1160		A-26	A-31	A-33	A-35	A-38	A-42	A-46	A-48	A-51	A-53	A-55	A-60	A-71
1640	1100	5.0	6.0	8.5	9.5	10.5	2.0	14.0	16.0	17.0	18.5	19.5	20.5	23.0	28.5
740	490		8.1	10.6	11.6	12.6	14.1	16.1	18.1	19.1	20.6	21.6	22.6	25.1	30.6
1560	1060	5.2	---	8.3	9.3	10.3	11.8	13.8	15.8	16.8	18.3	19.3	20.3	22.8	28.3
710	470		10.4	11.4	12.4	13.9	15.9	17.9	18.9	20.4	21.4	22.4	24.9	30.1	
1540	1020	5.4	---	8.2	9.2	10.2	11.7	13.7	15.7	16.7	18.2	19.2	20.2	22.7	28.1
685	455		10.2	11.2	12.2	13.7	15.7	17.7	18.7	20.2	21.2	22.2	24.7	30.3	
1485	985	5.6	---	8.0	9.0	10.0	11.5	13.5	15.5	16.5	18.0	19.0	20.0	22.5	28.0
638	440		9.9	10.9	11.9	13.4	15.4	17.4	18.4	19.9	20.9	21.9	24.4	30.0	
1385	985	5.8	---	7.8	8.8	9.8	11.3	13.3	15.3	16.3	17.8	18.8	19.8	22.3	27.6
620	420		9.8	10.8	11.8	13.3	15.3	17.3	18.3	19.8	20.8	21.8	24.3	29.4	
1385	920	6.0	---	7.7	8.7	9.7	11.2	13.2	15.2	16.2	17.7	18.7	19.7	22.2	27.2
620	410		9.6	10.6	11.6	13.1	15.1	17.1	18.1	19.6	20.6	21.6	24.2	29.2	
1340	890	6.2	---	7.5	8.5	9.5	11.0	13.0	15.0	16.0	17.5	18.5	19.5	22.0	27.2
595	400		9.4	10.4	11.4	12.9	14.9	16.9	17.9	19.4	20.4	21.4	23.9	29.1	
1300	860	6.4	---	7.4	8.4	9.4	10.9	12.9	14.9	15.9	17.4	18.4	19.4	21.9	27.3
580	385		9.2	10.2	11.2	12.7	14.7	16.7	17.7	19.2	20.2	21.2	23.7	29.2	
1190	785	7.0	---	6.9	7.9	8.9	10.3	12.3	14.3	15.3	16.8	17.8	18.8	21.3	26.9
530	350		8.6	9.6	10.6	12.2	14.2	16.2	17.2	18.8	19.8	20.8	23.1	28.7	
1015	670	8.2	---	---	---	7.8	9.3	11.3	13.3	14.3	15.9	16.9	17.9	20.3	25.9
450	300		---	---	---	9.6	11.2	13.2	15.2	16.2	17.7	18.7	19.7	22.1	27.7
920	615	9.0	---	---	---	---	8.6	10.6	12.6	13.6	15.2	16.2	17.2	19.8	25.2
410	275		---	---	---	---	10.3	12.3	14.3	15.3	17.1	18.1	19.7	21.3	27.0
785	520	10.6	---	---	---	---	---	9.1	11.2	12.2	13.8	14.8	15.8	18.3	23.9
350	230		---	---	---	---	10.8	12.9	14.0	15.6	16.6	17.6	20.2	21.7	
690	460	12.0	---	---	---	---	---	---	9.8	10.9	12.5	13.5	14.5	17.1	24.7
310	205		---	---	---	---	---	---	11.5	12.6	14.2	15.2	16.2	18.8	26.5
555	370	15.0	---	---	---	---	---	---	---	---	---	---	11.5	14.2	20.0
245	165		---	---	---	---	---	---	---	---	---	---	13.1	15.9	21.7

APG

MASTER XL

COMBOGEAR

MOTO DRIVE

ULTIMA

PULLEYS

REEVES Junior & Senior Pulleys

Size 860 Junior Pulley

¾ HP @ 1750 RPM
 Driven Sheave: FHP or Dual-Duty
 Belt: 4L FHP, A or AX S-L Classic

Driven RPM's Max/Min		Driven Sheave P.D.	Min/Max Center Distance for V-Belt No.											
Motor RPM			A-31	A-33	A-35	A-38	A-42	A-46	A-48	A-51	A-53	A-55	A-60	A-71
1750	1160													
1675	1110	6.0	6.9	7.9	8.9	10.4	12.4	14.4	15.4	16.9	17.9	18.9	21.4	26.5
610	405		9.6	10.6	11.6	13.1	15.1	17.1	18.1	19.7	20.7	21.7	24.2	29.3
1620	1075	6.2	6.7	7.7	8.7	10.2	12.2	14.2	15.2	16.7	17.7	18.7	21.2	25.6
590	390		9.4	10.4	11.4	12.9	14.9	17.0	18.0	19.5	20.5	21.5	24.0	28.7
1570	1040	6.4	---	7.6	8.6	10.1	12.1	14.1	15.1	16.6	17.6	18.6	21.1	24.7
570	380		10.2	11.2	12.7	14.7	16.8	17.8	19.3	20.3	21.3	23.9	28.5	
1435	955	7.0	---	7.1	8.1	9.6	11.6	13.6	14.6	16.1	17.1	18.1	20.6	25.7
520	345		9.6	10.7	12.2	14.3	16.3	17.3	18.8	19.8	20.8	23.3	28.5	
1225	815	8.2	---	---	---	8.6	10.8	12.6	13.6	15.2	16.2	17.2	19.6	24.7
445	295		11.2	13.2	15.2	16.2	17.8	18.8	19.8	22.3	27.5			
1115	740	9.0	---	---	---	---	9.8	11.9	12.9	14.4	15.4	16.4	19.0	24.1
405	270		12.4	14.5	15.5	17.1	18.1	19.1	21.6	26.9				
950	630	10.6	---	---	---	---	---	10.5	11.5	13.1	14.4	15.1	17.6	22.8
345	230		13.0	14.0	15.6	16.6	17.6	20.2	25.4					
840	555	12.0	---	---	---	---	---	---	10.2	11.7	12.8	13.8	16.4	21.6
305	200		12.6	14.2	15.2	16.3	18.9	24.2						
670	445	15.0	---	---	---	---	---	---	---	---	---	---	13.5	18.9
245	160		15.9	21.5										

Size 870 Junior Pulley

1 HP @ 1750 RPM
 Driven Sheave: FHP or Dual-Duty
 Belt: 5L FHP, B or BX S-L Classic

Driven RPM's Max/Min		Driven Sheave P.D.	Min/Max Center Distance for V-Belt No.											
Motor RPM			B-38	B-42	B-46	B-48	B-51	B-53	B-55	B-60	B-68	B-75	B-81	B-90
1750	1160													
1565	1040	7.4	8.9	10.9	12.9	13.9	15.4	16.4	17.4	19.9	23.9	27.4	30.4	32.4
630	415		11.8	13.8	15.8	16.8	18.4	19.4	20.4	22.9	26.9	30.4	33.4	35.4
1345	895	8.6	---	9.9	11.9	12.9	14.4	15.4	16.4	18.9	22.6	26.1	29.2	33.6
540	360		12.7	14.7	15.8	17.3	18.3	19.3	21.6	25.4	29.0	32.1	36.5	
1230	820	9.4	---	9.2	11.2	12.2	13.8	14.8	15.8	18.3	22.3	25.8	28.8	33.3
490	325		11.9	14.0	15.0	16.6	17.6	18.6	21.2	25.2	28.7	31.7	36.2	
1055	700	11.0	---	---	9.8	10.9	12.4	13.4	14.4	16.9	20.8	24.3	27.3	31.9
420	280		12.5	13.5	15.1	16.2	17.2	19.7	23.0	27.1	30.1	34.7		
935	620	12.4	---	---	---	---	11.0	12.1	13.1	15.7	19.5	23.1	26.1	30.6
375	250		13.7	14.8	15.8	18.4	22.4	26.0	29.0	33.5				
775	500	15.4	---	---	---	---	---	---	---	12.8	16.8	20.4	23.5	28.1
300	200		15.4	19.4	23.2	26.3	31.9							
625	416	18.4	---	---	---	---	---	---	---	---	---	17.7	20.8	25.5
242	164		20.5	23.6	28.3									

REEVES Junior & Senior Pulleys

Size 875 Junior Pulley

1-1/2 HP @ 1750 RPM

Driven Sheave: FHP or Dual-Duty

Belt: 5L FHP, B or BX S-L Classic

Driven RPM's Max/Min		Driven Sheave P.D.	Min/Max Center Distance for V-Belt No.											
Motor RPM			B-38	B-42	B-46	B-48	B-51	B-53	B-55	B-60	B-68	B-75	B-81	B-90
1750	1160													
1685	1120	7.4	8.5	10.5	12.5	13.5	15.0	16.0	17.0	19.5	23.3	26.8	29.8	34.3
675	445		11.6	13.7	15.7	16.7	18.2	19.2	20.0	22.7	26.5	30.0	33.0	37.5
1450	965	8.6	---	9.5	11.5	12.5	14.0	15.0	16.0	18.5	22.3	25.8	28.8	33.3
580	385		12.6	14.6	15.6	17.2	18.2	19.2	21.7	25.5	29.0	32.0	36.2	
1330	880	9.4	---	8.8	10.9	11.9	13.4	14.4	15.4	17.9	21.7	25.2	28.2	32.7
530	335		11.8	13.9	14.9	16.5	17.5	18.5	21.0	24.9	28.4	31.3	35.8	
1135	750	11.0	---	---	---	10.5	12.0	13.0	14.0	16.6	20.4	23.9	26.9	31.4
455	300		13.4	14.9	16.0	17.0	19.6	23.4	26.9	29.9	34.4			
1000	670	12.4	---	---	---	---	10.7	11.8	12.8	15.3	19.2	22.7	25.7	30.3
400	265		13.6	14.6	15.7	18.3	22.2	25.7	28.7	33.3				
810	540	15.4	---	---	---	---	---	---	---	12.5	16.5	20.1	23.2	27.7
325	215		15.3	19.2	22.9	26.1	30.6							
680	450	18.4	---	---	---	---	---	---	---	---	---	17.3	20.4	25.0
273	181		20.2	23.3	28.0									

Belt Selection: Senior Pulleys

Size 5675 Senior Pulley

1/4 - 3/4 HP @ 1750 RPM

Driven Sheave: 2.5" Wide Flat Face Pulley

Driven RPM's Max/Min		F-F Pulley Dia	Belt Part Number/ Length						
Motor RPM			H95123	H95124	H95125	H95126	H95127	H95128	H95454
1750	1160		300	360	420	480	540	600	660
		Min/Max Center Distance							
1680	1119	5	6.6	9.6	12.6	15.6	18.6	21.6	24.6
560	373		9.2	12.3	15.3	18.3	21.3	24.3	27.3
1416	945	6	---	8.8	11.8	14.8	17.8	20.8	23.8
472	315		11.4	14.4	17.5	20.5	23.5	26.5	
1224	816	7	---	8.0	11.0	14.0	17.0	20.0	23.0
408	272		10.5	13.5	16.6	19.6	22.7	25.7	
1077	720	8	---	---	10.2	13.2	16.2	19.2	22.2
359	240		12.6	15.7	18.8	21.8	24.8		
963	642	9	---	---	9.3	12.3	15.4	18.4	21.4
321	214		11.6	14.8	17.9	20.9	23.9		
870	582	10	---	---	---	11.4	14.5	17.5	20.5
290	194		13.8	16.9	20.0	23.0			
795	528	11	---	---	---	10.5	13.6	16.6	19.6
265	176		12.8	16.0	19.1	22.1			
729	486	12	---	---	---	---	12.6	15.4	18.4
243	162		15.0	18.1	21.1				
627	420	12	---	---	---	---	10.6	13.8	16.8
209	140		12.8	16.1	19.1				

REEVES Junior & Senior Pulleys

Size 7202 Senior Pulley

1 - 2 HP @ 1750 RPM

Driven Sheave: 2.5" Wide Flat Face Pulley

Driven RPM's Max/Min		F-F Pulley Dia	Belt Part Number/ Length									
Motor RPM			H95134	H95135	H95137	H95139	H95140	H95142	H95143	H95145	H95148	H95149
1750	1160		363	386	426	454	484	544	604	666	726	806
		Min/Max Center Distance										
1809	1206	6*	7.5	8.5	10.5	12.0	13.5	16.5	19.5	22.5	25.5	29.5
603	402		10.9	11.9	13.9	15.4	16.9	19.9	22.9	25.9	28.9	33.0
1569	1047	7*	---	7.7	9.7	11.2	12.7	15.7	18.7	21.7	24.7	28.7
523	349		11.0	13.0	14.6	16.0	19.1	22.1	25.1	28.2	32.2	
1383	924	8	---	---	8.9	10.4	11.9	14.9	17.9	20.9	23.9	27.9
461	308		12.1	13.7	15.2	18.2	21.2	24.3	27.3	31.4		
1239	825	9	---	---	---	9.5	11.0	14.0	17.0	20.0	23.0	27.0
413	275		12.9	14.2	17.3	17.3	23.4	26.4	30.5			
1119	747	10	---	---	---	---	10.2	13.2	16.2	19.2	22.2	26.2
373	249		13.3	16.4	19.4	22.5	25.5	29.7				
1023	681	11	---	---	---	---	---	12.3	15.4	18.4	21.4	25.4
341	227		15.5	18.6	21.6	24.7	28.8					
942	627	12	---	---	---	---	---	11.4	14.5	17.5	20.5	24.5
314	209		14.5	17.6	20.7	23.8	27.9					
810	540	14	---	---	---	---	---	---	12.6	15.7	18.8	22.9
270	180		15.6	18.8	21.9	26.1						
714	474	16	---	---	---	---	---	---	13.8	16.9	21.0	
238	158		16.7	20.0	24.2							
636	423	18	---	---	---	---	---	---	---	14.9	19.2	
212	141		17.8	22.2								
573	384	20	---	---	---	---	---	---	---	---	17.1	
191	128		20.0									

Size 9205 Senior Pulley

3 - 5 HP @ 1750 RPM

Driven Sheave: 3.25" Wide Flat Face Pulley

Driven RPM's Max/Min		F-F Pulley Dia	Belt Part Number/ Length											
Motor RPM			H95171	H95172	H95174	H95175	H95177	H95178	H95180	H95182	H95183	H95184	H95185	H95187
1750	1160		521	546	586	606	636	646	686	726	776	834	856	906
		Min/Max Center Distance												
1425	951	10	10.6	11.6	13.9	14.6	15.6	16.6	18.6	20.6	23.1	25.6	27.1	29.6
475	373		14.8	15.9	17.9	18.9	20.0	20.9	23.0	25.0	27.6	30.1	31.6	34.1
1305	945	11	---	10.8	12.8	13.8	14.8	15.8	17.8	19.8	22.3	24.8	26.3	28.8
425	315		14.9	17.0	18.0	19.1	20.1	22.1	24.2	26.7	29.2	30.7	33.3	
1200	816	12	---	---	11.9	12.9	14.0	15.0	17.0	19.0	21.5	24.0	25.5	28.0
400	272		16.0	17.1	18.1	19.1	21.2	23.3	25.8	28.3	29.9	32.4		
1035	720	14	---	---	---	---	12.2	13.2	15.2	17.3	19.8	22.3	23.8	26.4
345	240		16.1	17.2	19.3	21.4	24.0	26.5	28.1	30.6				
912	642	16	---	---	---	---	---	---	13.4	15.5	18.0	20.6	22.1	24.6
304	214		17.3	19.4	22.1	24.7	26.2	28.8						
813	582	18	---	---	---	---	---	---	---	---	16.1	18.7	20.3	22.9
271	194		20.0	22.7	24.3	26.9								
735	528	20	---	---	---	---	---	---	---	---	---	16.8	18.4	21.0
245	176		20.6	22.2	24.9									
669	486	22	---	---	---	---	---	---	---	---	---	---	16.3	19.0
223	162		20.0	22.8										

REEVES Junior & Senior Pulleys

Size 1110 Senior Pulley

7-1/2 or 10 HP @ 1750 RPM

Driven Sheave: 4.25" Wide Flat Face Pulley

Driven RPM's Max/Min		F-F Pulley Dia	Belt Part Number/ Length							
Motor RPM			H95484	H95204	H95205	H95206	H95207	H95208	H95209	H95210
1750	1160		660	730	790	850	910	970	1030	1090
		Min/Max Center Distance								
1443	963	12	14.1	17.1	20.1	23.1	26.1	29.1	32.1	35.1
481	321		19.3	22.4	25.5	28.5	31.5	34.6	37.6	40.6
1251	834	14	---	15.4	18.5	21.5	24.5	27.5	30.5	33.5
417	278		20.5	23.6	26.7	29.8	32.8	35.9	38.9	
1104	738	16	---	---	16.7	19.8	22.8	25.8	28.8	31.9
368	246		21.7	24.8	27.9	31.0	34.1	37.1		
990	660	18	---	---	14.9	18.0	21.0	24.1	27.1	30.2
330	220		19.7	22.9	26.0	29.2	32.3	35.3		
897	597	20	---	---	---	16.1	19.2	22.3	25.4	28.4
299	199		20.8	24.0	27.2	30.4	33.5			
819	546	22	---	---	---	---	17.2	20.4	23.5	26.6
273	182		21.9	25.2	28.4	31.5				
753	501	24	---	---	---	---	---	18.4	21.6	24.7
251	167		23.0	26.3	29.5					
696	465	26	---	---	---	---	---	---	19.5	22.7
232	155		24.0	27.4						
648	432	28	---	---	---	---	---	---	---	20.6
216	144		25.1							

Size 912-15 Senior Pulley

15 HP @ 1750 RPM

Driven Sheave: 4.25" Wide Flat Face Pulley

Driven RPM's Max/Min		F-F Pulley Dia	Belt Part Number/ Length				
Motor RPM			H95206	H95207	H95208	H95209	H95210
1750	1160		850	910	970	1030	1090
		Min/Max Center Distance					
1065	705	18	18.1	21.1	24.1	27.2	30.2
532	352		22.1	25.2	28.3	31.3	34.6
960	645	20	16.2	19.3	22.4	25.4	28.5
480	322		20.0	23.2	26.4	29.5	32.8
885	585	22	---	17.4	20.5	23.6	24.8
442	292		21.1	24.4	27.5	29.0	
810	540	24	---	---	18.5	21.7	24.8
405	270		22.3	25.5	29.0		
750	495	26	---	---	---	16.5	23.9
375	247		23.4	27.0			